

Heavy-duty Bubble-tight (Zero Leakage) Dampers

FC-RLD-LP Heavy-duty
FC-RLD-HP Heavy-duty Plus

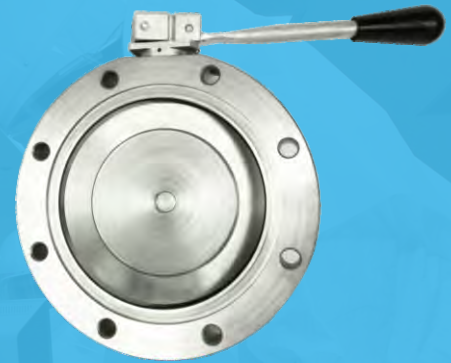
Provide bubble-tight tightness at differential pressure up to 100KPa

Work in elastic range



FC-RLD-LP

With manual, motorized or pneumatic actuators upon request



FC-RLD-HP

Maintain all functions after high pressure

The best class by AMCA 500D, EN1751 and KTA 3601 rated by Eurofins

FUCARE Bubble-tight Dampers are designed to provide the best tightness at extremely high pressure, up to 100KPa differential pressure by FC-RLD-HP and up to 20KPa differential pressure by FC-RLD-LP without permanent deformation which may affect its tightness performance. Therefore, this product is capable to tackle the most critical situations for key buildings or systems such as air filtering systems of biotechnology labs, hardened shelters, control room of nuclear power plant, control buildings of OGP industry.

[Features & Benefits]

- Assure bubble-tight tightness at differential pressure up to 100KPa
- Stand high pressure in elastic range
- Maintain all functions after high pressure
- Good corrosion resistant performance

[Specifications]

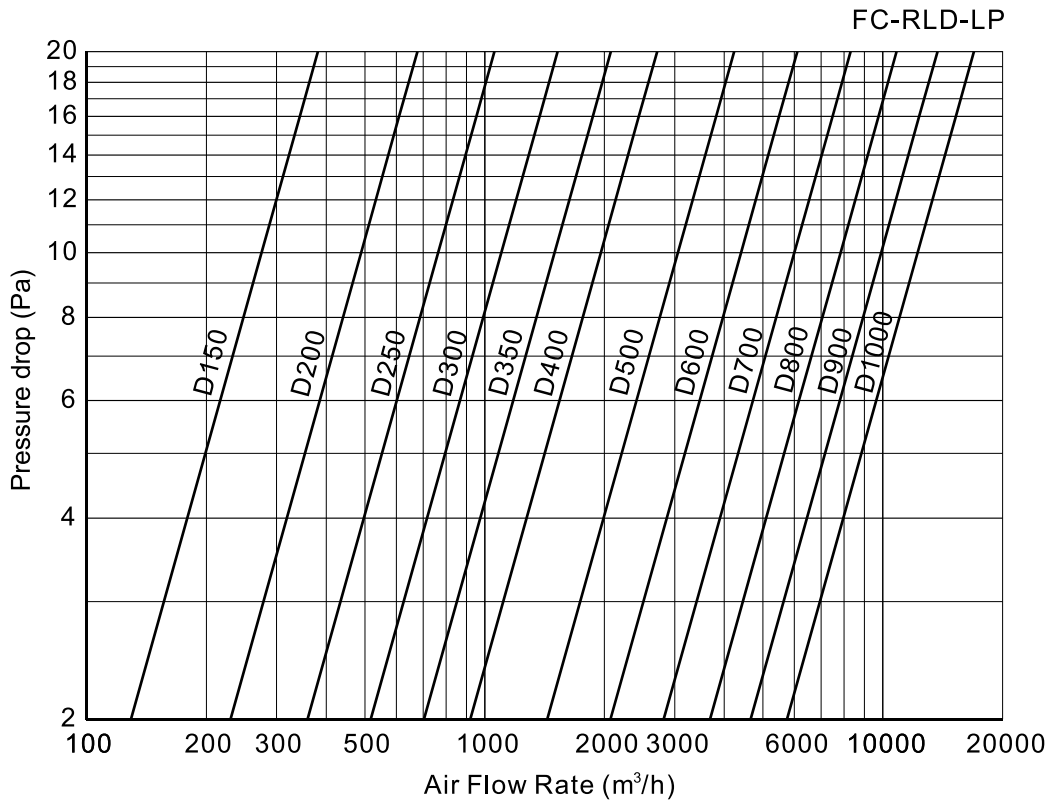
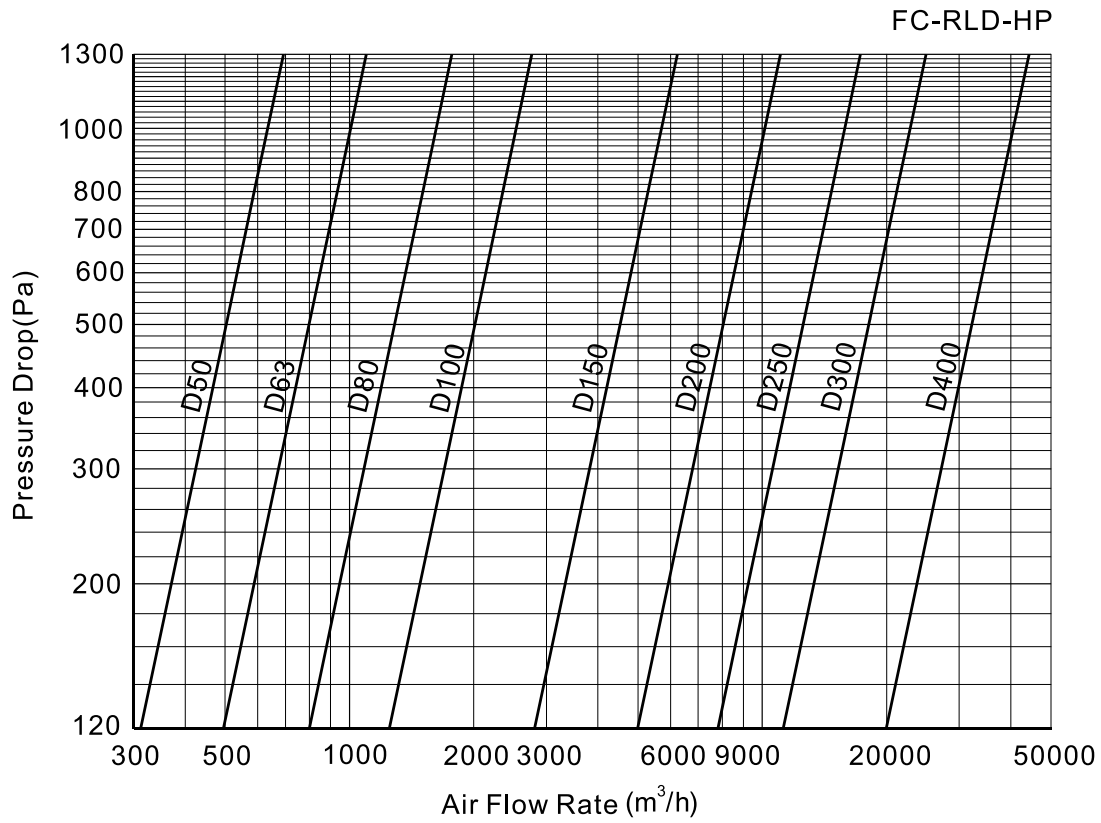
Items	FC-RLD-HP	FC-RLD-LP
Frame Material Options	Galvanized steel Nickel coated steel SS304 SS316	Coated Steel SS304 SS316
Blade Material Options	Galvanized steel Nickel coated steel SS304 SS316	Coated Steel SS304 SS316
Minimum Working pressure	100KPa/400" WG	20KPa/80" WG
Maximum Pressure	180KPa/720" WG	50KPa/120" WG
Sealing Material	Fluoro rubber	Silicon rubber

[3rd Party Rating]

Type	Standards	Test method	Rating by criteria
FC-RLD-HP	EN1751:2014 Ventilation for buildings. Air terminal devices. Aerodynamic test	FIGURE 1 (Blade)	Class 4 (The best)
		FIGURE 2 (Casing)	Class C (The best)
	AMCA 500D-18 Laboratory Methods of Testing Dampers for Rating	FIGURE 5.8	Bubble tight Up to 100KPa
	KTA 3601-2017 Ventilation Systems in Nuclear Power Plants	☐	Class 1
FC-RLD-LP	EN1751:2014 Ventilation for buildings. Air terminal devices. Aerodynamic test	FIGURE 1 (Blade)	Class 4 (The best)
		FIGURE 2 (Casing)	Class C (The best)
	AMCA 500D-18 Laboratory Methods of Testing Dampers for Rating	FIGURE 5.8	Bubble tight up to 20KPa
	KTA 3601-2017 Ventilation Systems in Nuclear Power Plants	☐	Class 1

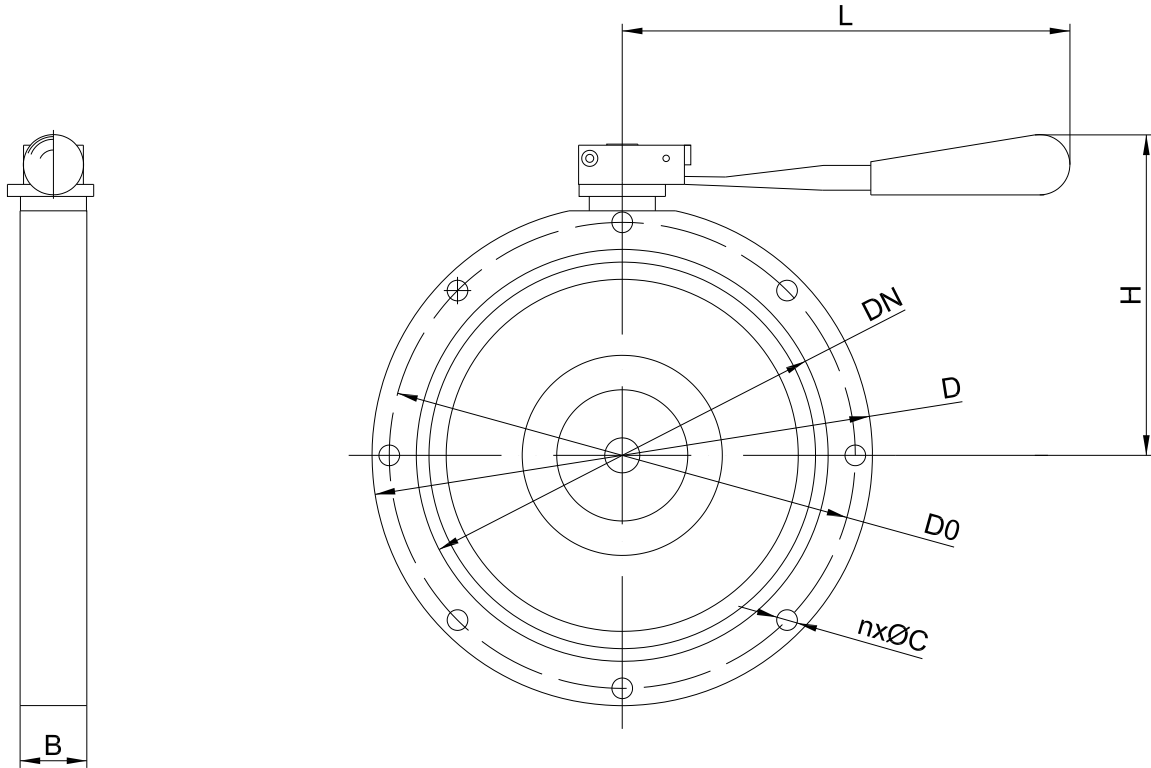
Note: Product is type tested at Eurofins Expert Services Oy, Finland

[Air Flow vs Pressure drop]



[Product Dimension]

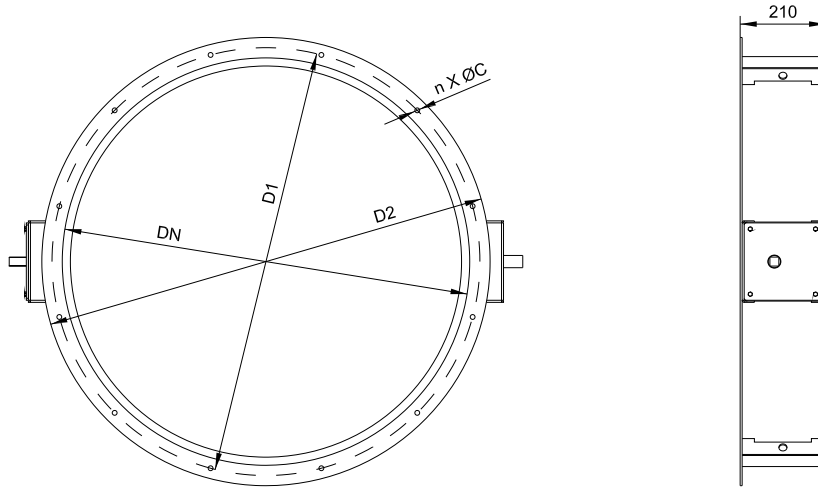
i . FC-RLD-HP



Model	DN (mm)	D (mm)	D0 (mm)	H (mm)	B (mm)	L (mm)	n x ØC (mm)
FC-RLD-HP-D50	50	110	90	90	22	90	4xØ9
FC-RLD-HP-D63	63	130	110	100	32	135	4xØ9
FC-RLD-HP-D80	80	145	130	110	32	135	4xØ9
FC-RLD-HP-D100	100	165	145	120	32	135	4xØ12
FC-RLD-HP-D150	150	225	200	140	35	135	8xØ12
FC-RLD-HP-D200	200	285	260	155	45	165	8xØ12
FC-RLD-HP-D250	250	335	310	190	50	185	8xØ14
FC-RLD-HP-D300	300	425	395	328	55	200	8xØ14
FC-RLD-HP-D400	400	510	480	340	60	250	8xØ18

For more information of electric/pneumatic motor please contact FuCare or FuCare distributor

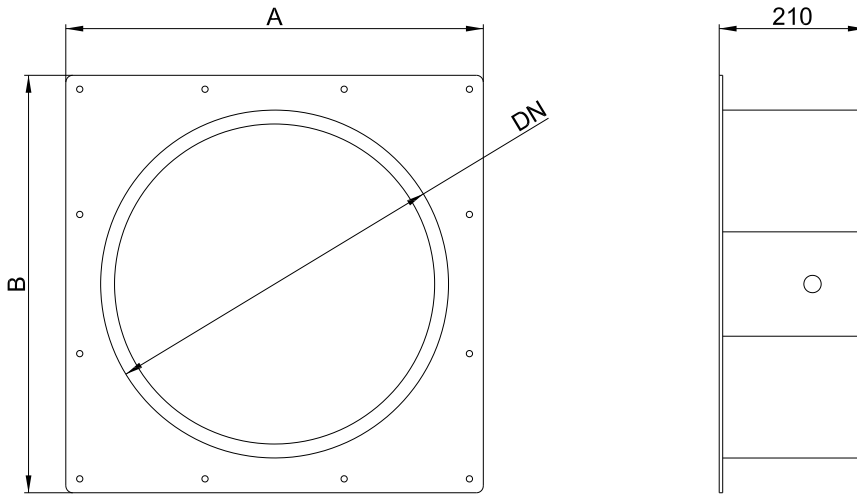
ii. FC-RLD-LP



Model	DN (mm)	D1 (mm)	D2 (mm)	n x ΦC (mm)
FC-RLD-LP-D150	150	200	250	4xΦ9
FC-RLD-LP-D200	200	250	300	4xΦ9
FC-RLD-LP-D250	250	300	350	6xΦ9
FC-RLD-LP-D300	300	350	400	6xΦ9
FC-RLD-LP-D350	350	400	450	8xΦ9
FC-RLD-LP-D400	400	450	500	8xΦ9
FC-RLD-LP-D500	500	550	600	10xΦ9
FC-RLD-LP-D600	600	650	700	10xΦ9
FC-RLD-LP-D700	700	750	800	12xΦ12
FC-RLD-LP-D800	800	850	900	12xΦ12
FC-RLD-LP-D900	900	950	1000	14xΦ12
FC-RLD-LP-D1000	1000	1050	1100	14xΦ12

For more information of electric/pneumatic motor please contact FuCare or FuCare distributor.

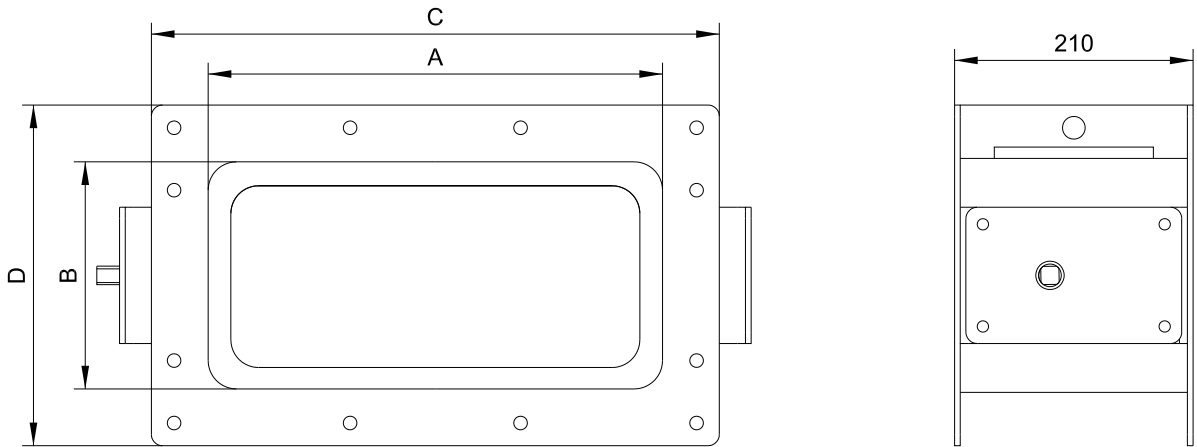
iii. FC-RLD-LP-SF



Model	DN (mm)	A (mm)	B (mm)
FC-RLD-LP-SF-D150	150	250	250
FC-RLD-LP-SF-D200	200	300	300
FC-RLD-LP-SF-D250	250	350	350
FC-RLD-LP-SF-D300	300	400	400
FC-RLD-LP-SF-D350	350	450	450
FC-RLD-LP-SF-D400	400	500	500
FC-RLD-LP-SF-D500	500	600	600
FC-RLD-LP-SF-D600	600	700	700
FC-RLD-LP-SF-D700	700	800	800
FC-RLD-LP-SF-D800	800	900	900
FC-RLD-LP-SF-D900	900	1000	1000
FC-RLD-LP-SF-D1000	1000	1100	1100

For more information of electric/pneumatic motor please contact FuCare or FuCare distributor.




iv. FC-RLD-LP-SD



Model	A (mm)	B (mm)	C (mm)	D (mm)
FC-RLD-LP-SD-150X150	150	150	250	250
FC-RLD-LP-SD-200X200	200	200	300	300
FC-RLD-LP-SD-250X250	250	250	350	350
FC-RLD-LP-SD-300X300	300	300	400	400
FC-RLD-LP-SD-400X400	400	400	500	500
FC-RLD-LP-SD-500X500	500	500	600	600
FC-RLD-LP-SD-600X600	600	600	700	700
FC-RLD-LP-SD-700X700	700	700	800	800
FC-RLD-LP-SD-800X800	800	800	900	900
FC-RLD-LP-SD-900X900	900	900	1000	1000
FC-RLD-LP-SD-1000X1000	1000	1000	1100	1100
FC-RLD-LP-SD-1200X1200	1200	1200	1300	1300

For more information of electric/pneumatic motor please contact FuCare or FuCare distributor.

[Actuator Options]

	Electric Actuator Specifications	
	Power Supply	24/110/220/380V AC±10%, 24/110/220V DC 50/60HZ±10%
	Torque	30-2000NM, 0°~270° stroke
	Signal Output	4-20mA or 0-10V DC
	Failure Protection/Operating temperature	Internal thermal protection. Open 120°C ± 5°C, Close 97°C±15°C
	Features	Manual operation/Self-lock/ Mechanical or electronic limit
	Anti-vibration	X Y Z 10g, 0.2~34HZ, 30mins
	Certifications	Waterproof level IP67, NEMA 4/6, CE marked.
	Ex-proof version	Upon request
	Pneumatic Actuator Specifications	
	Torque mode	Double-acting output / Single- acting output (Spring return)
	Torque range	3.6~13022 NM, 0°~ 90° stroke
	Air pressure	2.5~8 Bar
Certifications	ATEX94/9/EC Ex II 2GD c T95°C IEC 61508 SIL 3	
	Manual Actuator Specifications	
	Materials	Coated steel/SS304
	Features	Low operation force On/Off Position Holder Mechanical indicator

FuCare

Innovations for better protection

FUCARE PROTECTION PTE. LTD.

21 Woodlands Close #05-06 Primz Bizhub,

Singapore 737854

Tel: +65 6260 9888

E-mail: info@fucare.com

www.fucare.com



intertek



014